

Multi-Operator 4G LTE1800MHz Band Selective Repeater

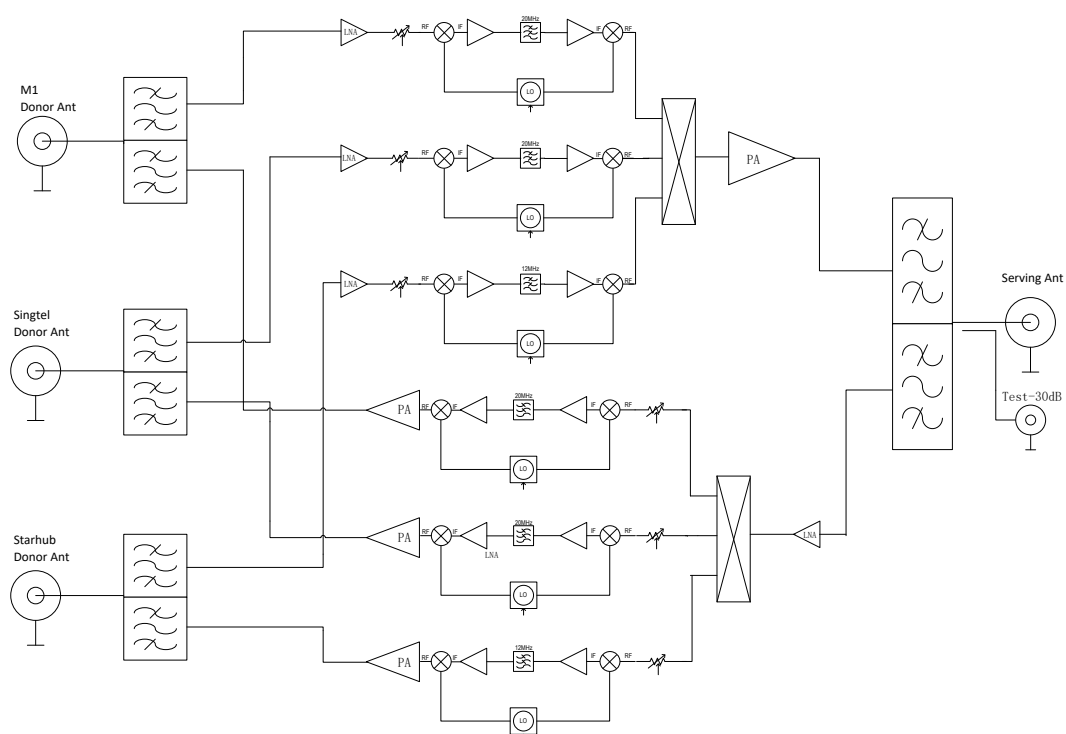
LTE18-010-V01



Features

- Self-adaptive and self-detective isolation
- Supports RF repeater with high dynamic gain
- Adopting digital filter to increase signal quality
- operating bandwidth (20MHz) by per operator
- Small form factor for easy installation
- Built in monitoring system using GSM/3G
- Individual operator's donor antenna port and combined operators serving antenna port

Function Block Diagram



Multi-Operator 4G LTE1800MHz Band Selective Repeater

LTE18-010-V01

Technical Specifications

No	Description	Reverse(Uplink)	Forward(Downlink)
1	Frequency Range	1710~1785	1805~1880
2	Support Band	3	3
3	Band Width	SingTel	20MHz
		M1	20MHz
		StarHub	20MHz
4	Support Carrier (Per Band)	Multi	Multi
5	Out of Band Gain	$\pm 400\text{KHz} \leq 50\text{dB}$	
		$\pm 600\text{KHz} \leq 40\text{dB}$	
		$\pm 1\text{MHz} \leq 35\text{dB}$	
		$\pm 5\text{MHz} \leq 25\text{dB}$	
6	Max Gain	90 dB	
7	Gain Flatness	$\leq \pm 1.5\text{dB}$ (p-p)	
8	ALC Range	$\geq 15\text{dB}$	
10	Gain Control Accuracy	1~20dB@ $\pm 1\text{dB}$	
		>20dB@ $\pm 1.5\text{dB}$	
11	Total RF Input Power (no damage)	$\leq +10\text{dBm}$	$\leq +10\text{dBm}$
12	Output Power	DownLink: 43dBm	

Multi-Operator 4G LTE1800MHz Band Selective Repeater

LTE18-010-V01

Technical Specifications

No	Description	Reverse(Uplink)	Forward(Downlink)
13	Output Power Accuracy over all conditions(-10degC to +55degC)	<=+/-3dB	
14	Spurious Emission	9KHz~1GHz<=-36dBm 1GHz~12.75GHz<=-30dBm	
15	Noise Figure	≤5dB	≤5dB
16	Group Delay	≤5 μsec	≤5 μsec
17	Tx / Rx isolation	≥105dBc	
18	V.S.W.R	≤1.3	≤1.3
19	Impedance	50Ω	50Ω
20	Step Attenuation	31dB / 1dB Step	
21	Power Supply	Input 110 V - 260 V AC , 50 HZ	
22	Power Consumption	250W	
23	Cooling	Heatsink convection cooling	
24	Operating Temperature	-10~+55degC	
25	RF Connector	N (female)-Type	
26	Water Proof	IP 65	
27	Dimension	500 X 440 X 187 mm	
28	Weight	<28Kg	
29	MTBF	≥50,000 hours	