

Multi-Operator 3G Channel Selective Repeater (60MHz, 10W)

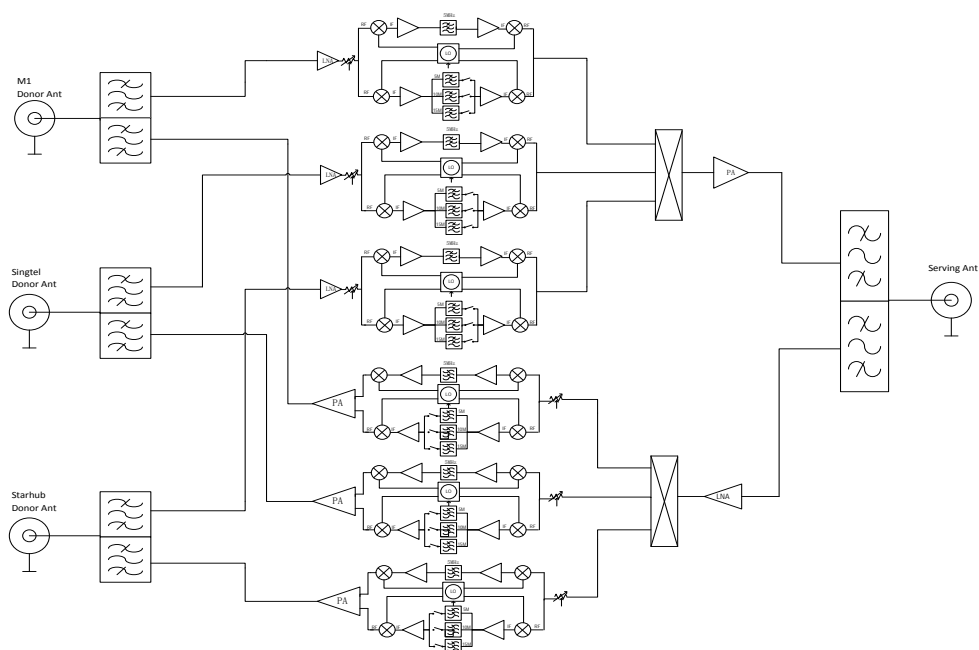
WDNCS-010-V02



Features

- Maximum composite RF output power of 10W
- Gain setting of up to 90dB and balance RF output power allocation of 3.3W per operator for 3 operators
- Selection of operating channels (5, 10, 15MHz(continuous)+5MHz(non-continuous)) per operator for 3 operators
- Self-adaptive and self-detective isolation
- Automatic level control (ALC) on both downlink and uplink path
- Adopting digital filter to increase signal quality
- Small form factor for easy installation
- Built in monitoring system using 3G modem
- Individual operator's donor antenna port and combined operators serving antenna port

Function Block Diagram:



Multi-Operator 3G Channel Selective Repeater (60MHz, 10W)

WDNCS-010-V02

Technical Specifications

No.	Description	Reverse(Uplink)	Forward(Downlink)
1	Frequency Range	1920~1980	2110~2170
2	Band Width	5、10、15 MHz + 5MHz	5、10、15MHz + 5MHz
3	Support Carrier (Per Operator, 3 x Operators)	1~4	1~4
4	Out of Band Relative attenuation	$\pm 400\text{KHz}$ $\geq 25\text{dB}$	
		$\pm 600\text{KHz}$ $\geq 35\text{dB}$	
		$\pm 1\text{MHz}$ $\geq 50\text{dB}$	
5	Max Gain	90 dB	
6	Gain Flatness	$\leq \pm 1.5\text{dB}$ (p-p)	
7	ALC Range	$\geq 15\text{dB}$	
8	Gain Control Range(MGC)	$\geq 31\text{dB}$ (Gain 59dB - 90dB in 1 dB steps)	
9	Gain Control Accuracy	1~20dB@ $\pm 1\text{dB}$	
		$> 20\text{dB}$ @ $\pm 1.5\text{dB}$	
10	Total RF Input Power (no damage)	$\leq +10\text{dBm}$	$\leq +10\text{dBm}$
11	Output Power	UpLink: $\geq 30\text{dBm}$	DownLink: $\leq 40\text{dBm}$

Multi-Operator 3G Channel Selective Repeater (60MHz, 10W)

WDNCS-010-V02

Technical Specifications

No.	Description	Reverse(Uplink)	Forward(Downlink)
12	Output Power Accuracy over all conditions(-10degC to +55degC)	<=+/-3dB	
13	Spurious Emission	9KHz~1GHz≤-36dBm 1GHz~12.75GHz≤-30dBm	
14	Noise Figure	≤3.5dB	≤3.5dB
15	Group Delay	≤5 μsec	≤5 μsec
16	Tx / Rx isolation	>=105dBc	
17	V.S.W.R	≤1.3	≤1.3
18	Impedance	50Ω	50Ω
19	Step Attenuation	31dB / 1dB Step	
20	Power Supply	Input 110 V - 260 V AC , 50 HZ	
21	Power Consumption	250W	
22	Cooling	Heatsink convection cooling	
23	Operating Temperature	-10~+55degC	
24	RF Connector	N (female)-Type	N (female)-Type
25	Water Proof	IP 65	
26	Dimension	500 X 440 X 187 mm	
27	Weight	<28Kg	
29	MTBF	≥50,000 hours	

**This product sheet is subject to change without prior notice*